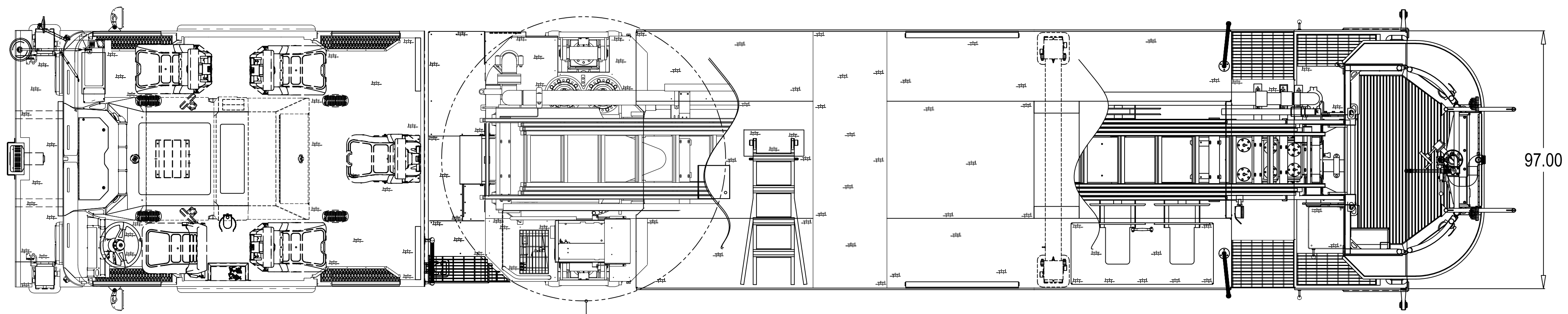
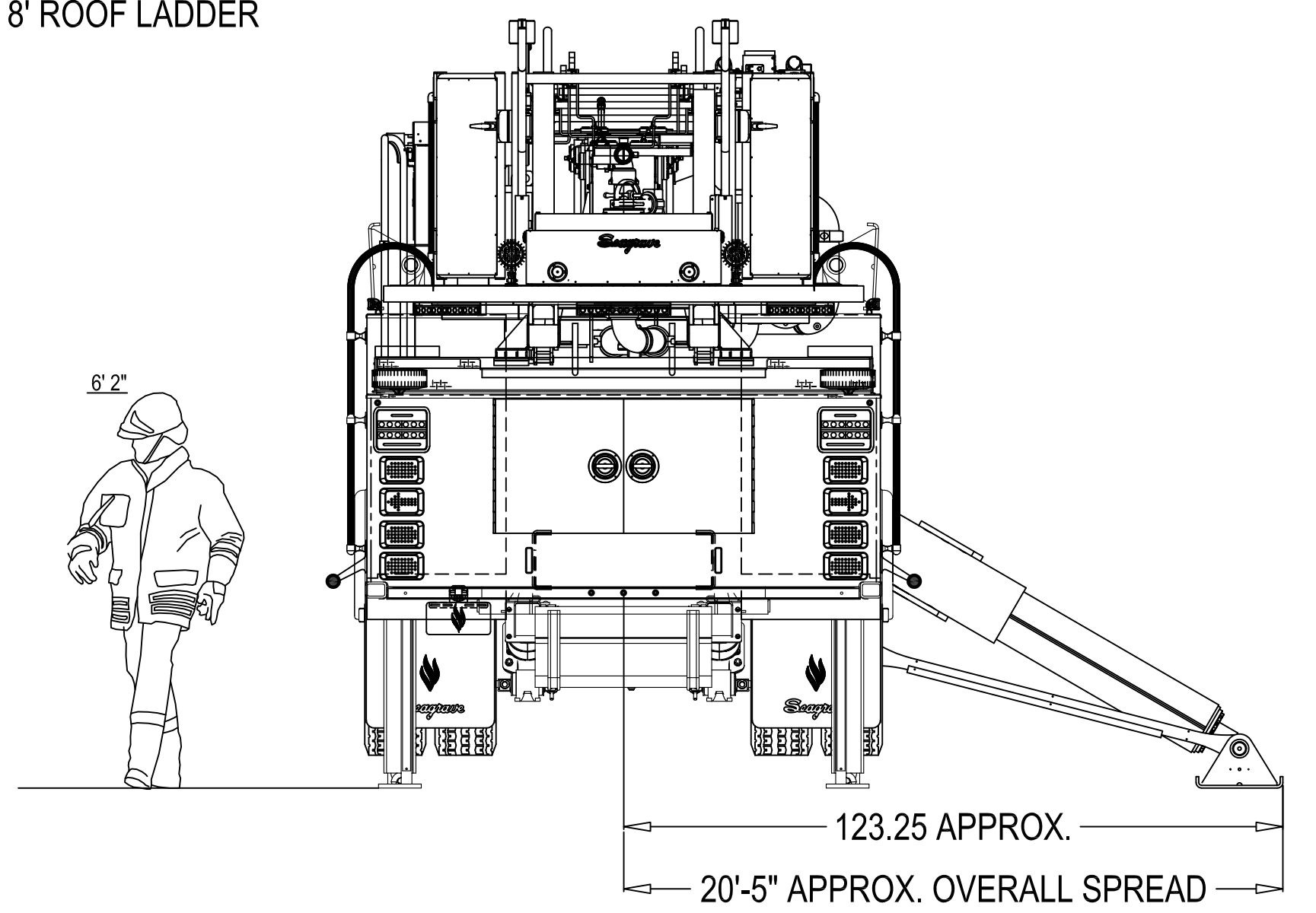
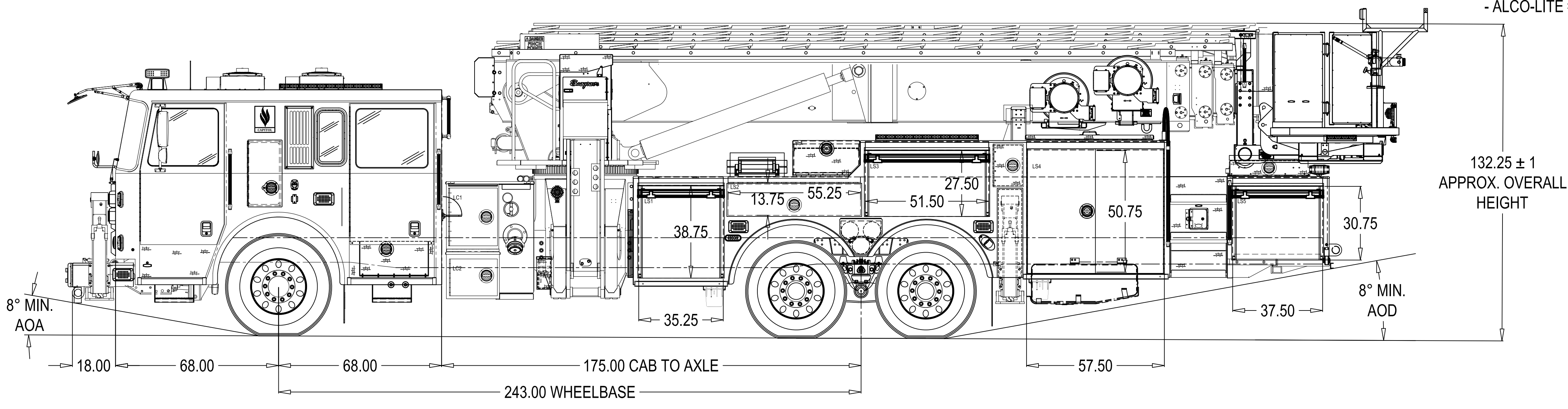


	FWD SEAGRAVE HOLDINGS, LP / 105 EAST 12TH STREET CLINTONVILLE, WI 54929	
	WORCESTER FIRE DEPARTMENT WORCESTER, MASSACHUSETTS	
PREPARED BY: DWL CAB: CAPITOL 136 ENGINE: CUMMINS X12 500HP PUMP: N/A BODY: #3CR12 S/S - AS95 LO-HI AERIAL: 95' AERIALSCOPE	DATE: 06-29-2021 FRONT AXLE: MFS / 22.8K / DISC REAR AXLE: RT-58-185 / 58K / S-CAM FRONT TIRES: GY / 425 / 65R22.5 / G296 MSA REAR TIRES: GY / 315 / 80R22.5 / G291	MODEL: DV0HCT REAR SUSP: HENDRICKSON / ULTIMAAX / 58K



- LADDER & PIKE POLE COMPARTMENT INFORMATION:
- (2) ALCO-LITE #PEL-35 35' 2-SECTION LADDERS
 - ALCO-LITE #PEL-28 28' 2-SECTION LADDER
 - ALCO-LITE #FL-10 10' FOLDING LADDER
 - ALCO-LITE #DRL-16 16' ROOF LADDER
 - ALCO-LITE #DRL-20 20' ROOF LADDER
 - ALCO-LITE #AEL-14 14' ATTIC LADDER
 - ALCO-LITE #PRL-8 8' ROOF LADDER
- > CONTINUE
- (4) PVC PIKE POLE TUBES
 - FHU #APH-6 PIKE POLE w/ SOLID FIBERGLASS HANDLE
 - FHU #APH-12 PIKE POLE w/ SOLID FIBERGLASS HANDLE
 - FHU #APH-8 8' PIKE POLE w/ SOLID FIBERGLASS HANDLE
 - FHU #APH-16 16' PIKE POLE w/ SOLID FIBERGLASS HANDLE



PRELIMINARY DRAWING F3183

ALL DIMENSIONS ARE MEASURED IN INCHES, UNLESS OTHERWISE NOTED.

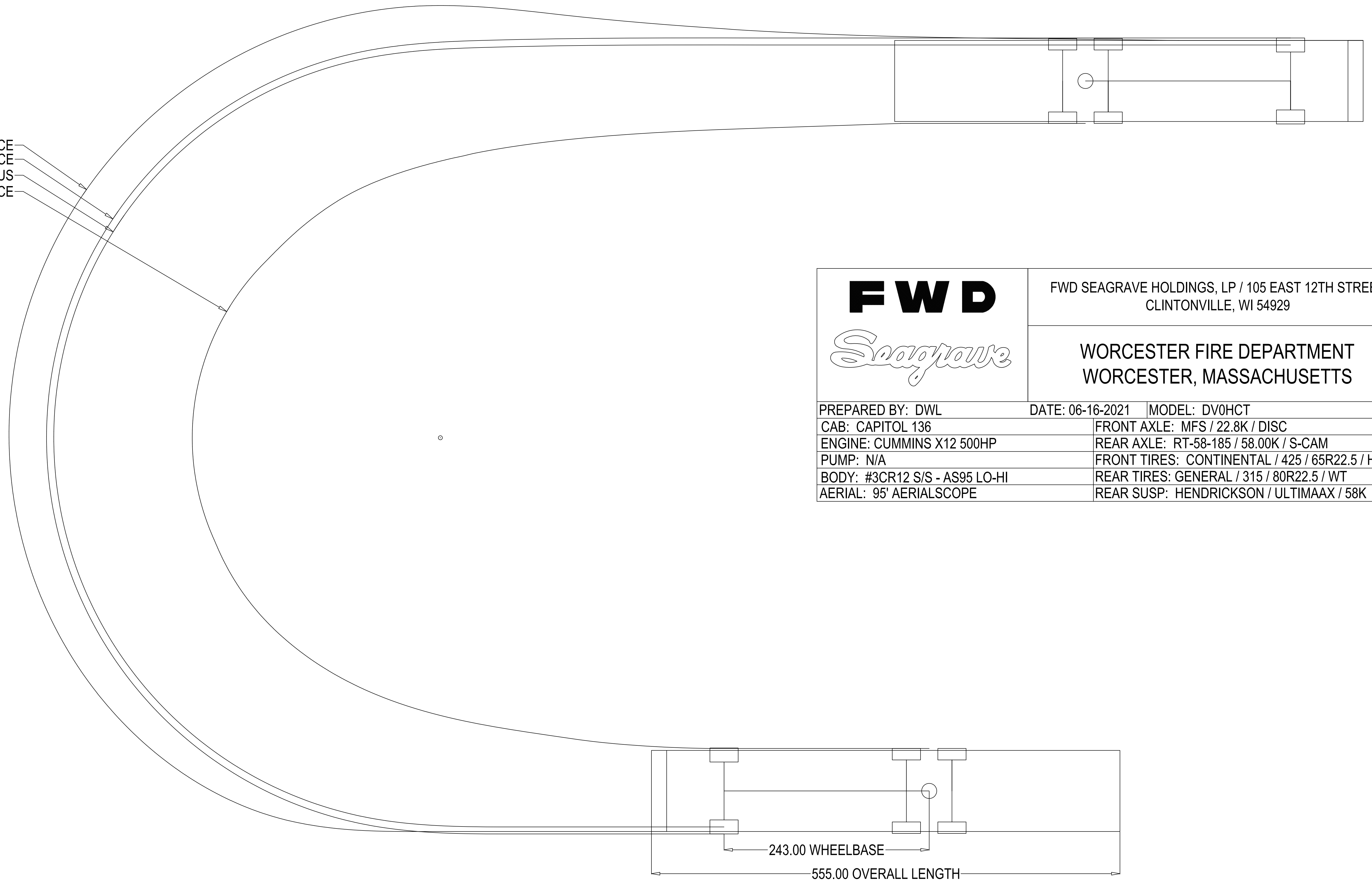
THIS DRAWING IS FOR REFERENCE OF CONFIGURATION; MINOR DETAILS MAY NOT BE SHOWN. DIMENSIONS SHOWN ARE APPROXIMATE AND SUBJECT TO CHANGE. THE SALES ORDER AND APPROVED SALES ORDER CHANGES WILL PREVAIL, WHERE DISCREPANCIES EXIST.


THE INDICATED VEHICLE HEIGHT REPRESENTS A CALCULATED DIMENSION. ACTUAL SHIPPED HEIGHT MAY VARY.

THE HOSE CAPACITY IS A CALCULATED AMOUNT. ACTUAL CAPACITY MAY VARY DEPENDING ON VENDOR OF THE HOSE.

INTERNAL SALES REPRESENTATIVE SIGNATURE OF APPROVAL			SIG. DATE
-			06-29-2021
REV.	DATE	DESCRIPTION	REV. BY
-	06-29-2021	PER QW #10091-0012	DWL
FWD SEAGRAVE HOLDINGS, LP, ITS SUBSIDIARIES, SUCCESSORS AND/OR ASSIGNS (COLLECTIVELY, "FWD SEAGRAVE") OWNS PROPRIETARY RIGHTS IN AND TO THIS DRAWING AND INFORMATION CONTAINED THEREIN. THIS DRAWING IS CONFIDENTIAL AND SHOULD NOT BE USED OR REPRODUCED FOR ANY PURPOSE WITHOUT THE WRITTEN CONSENT OF FWD SEAGRAVE.			

R42'-8" VEHICLE CLEARANCE
 R38'-11" CURB TO CURB CLEARANCE
 R38'-2" TURNING RADIUS
 R24'-6" INNER CURB CLEARANCE



	FWD SEAGRAVE HOLDINGS, LP / 105 EAST 12TH STREET CLINTONVILLE, WI 54929	
	WORCESTER FIRE DEPARTMENT WORCESTER, MASSACHUSETTS	
PREPARED BY: DWL	DATE: 06-16-2021	MODEL: DV0HCT
CAB: CAPITOL 136	FRONT AXLE: MFS / 22.8K / DISC	
ENGINE: CUMMINS X12 500HP	REAR AXLE: RT-58-185 / 58.00K / S-CAM	
PUMP: N/A	FRONT TIRES: CONTINENTAL / 425 / 65R22.5 / HAC3	
BODY: #3CR12 S/S - AS95 LO-HI	REAR TIRES: GENERAL / 315 / 80R22.5 / WT	
AERIAL: 95' AERIALSCOPE	REAR SUSP: HENDRICKSON / ULTIMAXX / 58K	

TURNING RADIUS DRAWING F2903 T-RAD

ALL DIMENSIONS ARE MEASURED IN INCHES, UNLESS OTHERWISE NOTED.

THIS DRAWING IS FOR REFERENCE OF CONFIGURATION; MINOR DETAILS MAY NOT BE SHOWN. DIMENSIONS SHOWN ARE APPROXIMATE AND SUBJECT TO CHANGE. THE SALES ORDER AND APPROVED SALES ORDER CHANGES WILL PREVAIL, WHERE DISCREPANCIES EXIST.

THE INDICATED VEHICLE HEIGHT REPRESENTS A CALCULATED DIMENSION. ACTUAL SHIPPED HEIGHT MAY VARY.

THE HOSE CAPACITY IS A CALCULATED AMOUNT. ACTUAL CAPACITY MAY VARY DEPENDING ON VENDOR OF THE HOSE.

FWD SEAGRAVE HOLDINGS, LP, ITS SUBSIDIARIES, SUCCESSORS AND/OR ASSIGNS (COLLECTIVELY, " FWD SEAGRAVE") OWNS PROPRIETARY RIGHTS IN AND TO THIS DRAWING AND INFORMATION CONTAINED THEREIN. THIS DRAWING IS CONFIDENTIAL AND SHOULD NOT BE USED OR REPRODUCED FOR ANY PURPOSE WITHOUT THE WRITTEN CONSENT OF FWD SEAGRAVE.

L = 75 psi x 24"x24" = 43,200 lbs
per section 19.21.4.2 of NFPA 1901 ground
contact unit pressure not to exceed 75psi
with Industry Standard ground pad of
24 x 24 inches.

